

# - Service Installation Notice -

**Kit No.:** 9010418 - CIRCUIT BREAKER (FUSE) KIT, SWPR, W/ RELAY

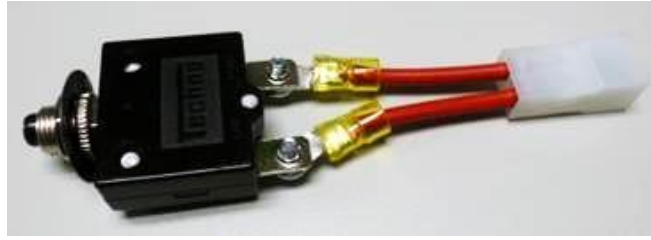
**Models:** S9 and Scout 9 Sweepers

For this kit, the original 25amp circuit breaker/fuse for the brush drive circuit has been replaced by a 40amp circuit breaker/fuse with jumper connector. No wire harness change has taken place.

**Instructions p/n 9014110:**



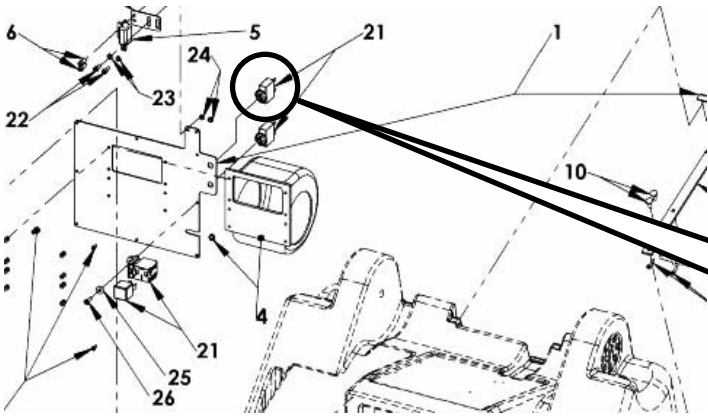
Original 25A fuse to be replaced



40A fuse with jumper pre-attached



40A fuse with jumper shown installed



KIT 9010418

TENNANT COMPANY

www.tennantco.com

9010418 <a href="#">add to pick list</a>	CIRCUITBREAKER KIT, SWPR, W/ RELAY [S9]	(Includes Circuit Breaker 20A Qty 1, Circuit Breaker 25A Qty 1, Relay Holder Qty 1, Relay Qty 1 & Mounting Hardware)	00000000	1
---	---	--	----------	---

40A

Exchange 'top 25A fuse' for 40A with jumper. Plug in terminals into connector tabs.

# - Service Installation Notice -

**Kit No.:** 9010418 - CIRCUIT BREAKER (FUSE) KIT, SWPR, W/ RELAY

**Models:** S9 and Scout 9 Sweepers

For this kit, the original 25amp circuit breaker/fuse for the brush drive circuit has been replaced by a 40amp circuit breaker/fuse with jumper connector. No wire harness change has taken place.

**Instructions p/n 9014110:**



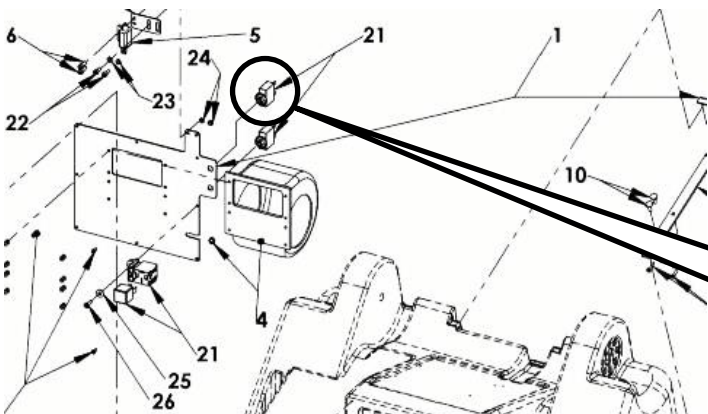
Original 25A fuse to be replaced



40A fuse with jumper pre-attached



40A fuse with jumper shown installed



KIT 9010418

TENNANT COMPANY

www.tennantco.com

9010418 <a href="#">add to pick list</a>	CIRCUITBREAKER KIT, SWPR, W/ RELAY [S9]	(Includes Circuit Breaker 20A Qty 1, Circuit Breaker 25A Qty 1, Relay Holder Qty 1, Relay Qty 1 & Mounting Hardware)	00000000	1
---	---	--	----------	---

40A

Exchange 'top 25A fuse' for 40A with jumper. Plug in terminals into connector tabs.